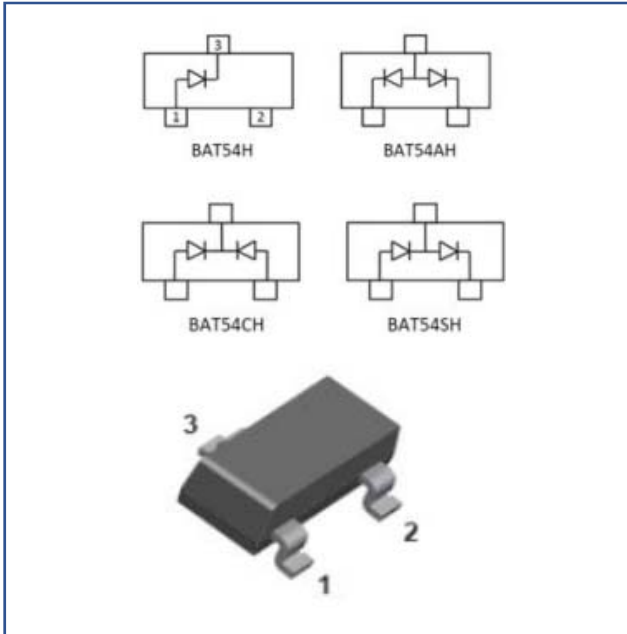


Schottky Barrier Diode



Features

- Moisture sensitivity level 1
- Reverse voltage: 30V
- Average forward current : 200mA

Application

- High frequency and low voltage rectifier

Mechanical data

- **Package:** SOT-23
- **Terminals:** Tin plated leads, solderable per J-STD-002 and JESD22-B102

■ Maximum Ratings (T_a=25°C Unless otherwise specified)

Parameter	Symbol	Unit	Value	
Device marking code			BAT54H	KL1H
			BAT54AH	KL2H
			BAT54CH	KL3H
			BAT54SH	KL4H
Repetitive peak reverse voltage	V _{RRM}	V	30	
Forward current	I _F	mA	200	
Non-repetitive Surge peak forward current @ t=8.3ms half-sine wave	I _{FSM}	A	0.6	
Non-repetitive Surge peak forward current @ t=1ms square wave			0.6	
Power dissipation	P _D	mW	250	
Junction temperature	T _J	°C	-55 to +150	
Storage temperature	T _{STG}	°C	-55 to +150	



BAT54H THRU BAT54SH

RoHS
COMPLIANT

■ Electrical Characteristics (T_a=25°C Unless otherwise specified)

Parameter	Symbol	UNIT	Conditions	Min	TYP	Max
Reverse voltage	V _R	V	I _R =0.1mA	30		
Forward voltage	V _{F1}	V	I _F =0.1mA			0.24
	V _{F2}	V	I _F =1mA			0.32
	V _{F3}	V	I _F =10mA			0.4
	V _{F4}	V	I _F =30mA			0.5
	V _{F5}	V	I _F =100mA			0.8
Reverse leakage current	I _R	uA	V _R =25V			2
Junction capacitance	C _j	pF	V _R =1.0V, f=1MHz			10
Reverse recovery time	T _{rr}	ns	I _F =I _R =10mA, I _{rr} =0.1*I _R ,			5

■ Thermal Characteristics

Parameter	Symbol	Unit	Value
Thermal resistance, junction-to-ambient	R _{θJ-A} ⁽¹⁾	°C/W	500
Thermal resistance, junction-to-case	R _{θJ-C} ⁽¹⁾	°C/W	400

Note:

(1) Device mounted on PCB, single-sided copper, with standard footprint



BAT54H THRU BAT54SH

RoHS
COMPLIANT

■ Characteristics

Fig 1: P_D - T_a Curve

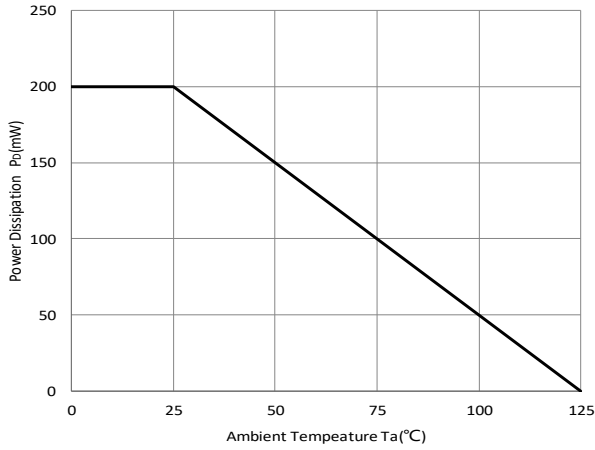


Fig 2: Capacitance Capability

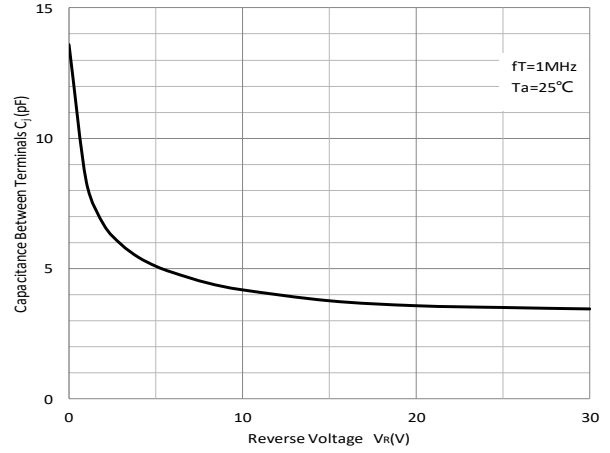


Fig 3: Typical Forward Characteristics

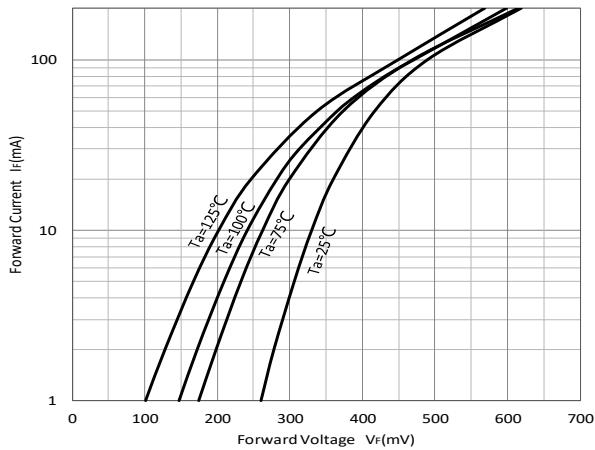
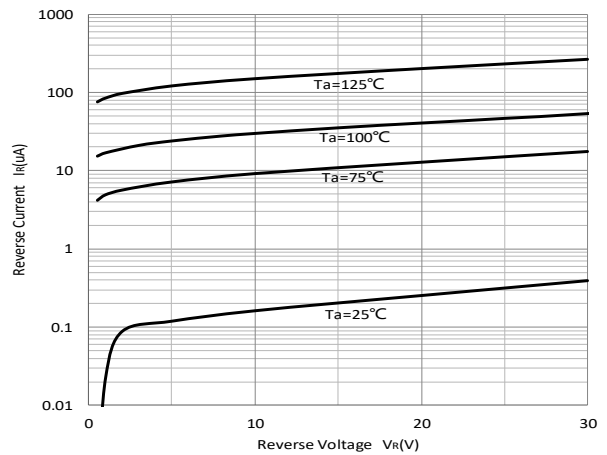


Fig 4: Typical Reverse Characteristics





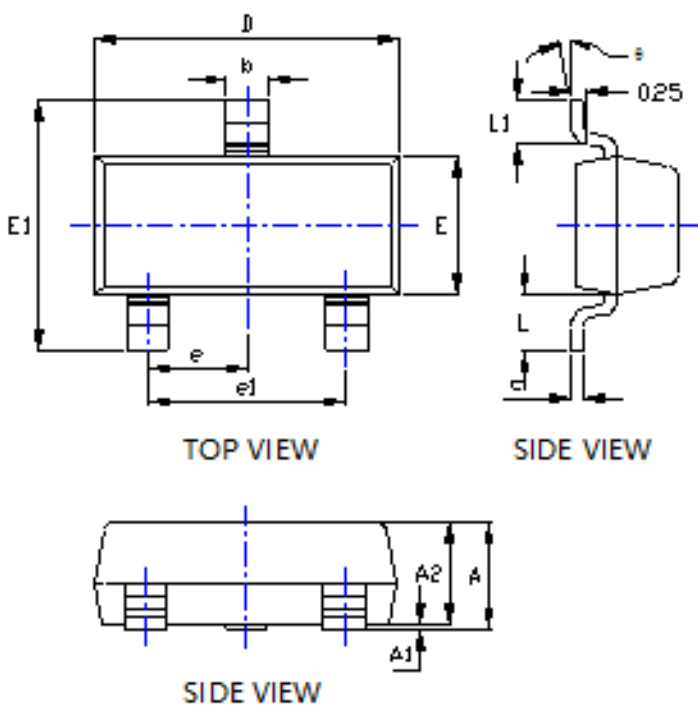
BAT54H THRU BAT54SH

RoHS
COMPLIANT

Ordering Information

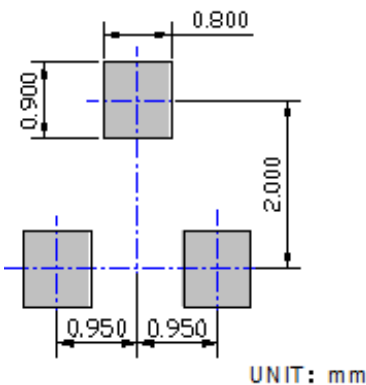
Preferred P/N	Packing code	Unit weight(g)	Minimum package(pcs)	Inner box quantity(pcs)	Outer carton quantity (pcs)	Delivery mode
BAT54H	F2	Approximate 0.008	3000	30000	120000	7" reel
BAT54AH	F2	Approximate 0.008	3000	30000	120000	7" reel
BAT54CH	F2	Approximate 0.008	3000	30000	120000	7" reel
BAT54SH	F2	Approximate 0.008	3000	30000	120000	7" reel

Outline Dimensions



SYMBOL	DIMENSIONS			
	INCHES		Millimeter	
	MIN.	MAX.	MIN.	MAX.
A	0.035	0.045	0.900	1.150
A1	0.000	0.004	0.000	0.100
A2	0.035	0.041	0.900	1.050
b	0.012	0.020	0.300	0.500
c	0.004	0.008	0.100	0.200
D	0.110	0.118	2.800	3.000
E	0.047	0.055	1.200	1.400
E1	0.089	0.100	2.250	2.550
e	0.037TYP		0.950TYP	
e1	0.071	0.079	1.800	2.000
L	0.022REF		0.550REF	
L1	0.012	0.020	0.300	0.500
θ	0°	8°	0°	8°

Suggested Pad Layout





BAT54H THRU BAT54SH

RoHS
COMPLIANT

Disclaimer

The information presented in this document is for reference only. Yangzhou Yangjie Electronic Technology Co., Ltd. reserves the right to make changes without notice for the specification of the products displayed herein to improve reliability, function, or design or otherwise.

The product listed herein is designed to be used with ordinary electronic equipment or devices, and not designed to be used with equipment or devices which require high level of reliability and the malfunction of which would directly endanger human life (such as medical instruments, transportation equipment, aerospace machinery, nuclear-reactor controllers, fuel controllers and other safety devices), Yangjie or anyone on its behalf, assumes no responsibility or liability for any damages resulting from such improper use of sale.

This publication supersedes & replaces all information previously supplied. For additional information, please visit our website [http:// www.21yangjie.com](http://www.21yangjie.com) , or consult your nearest Yangjie's sales office for further assistance.